

# HabaCHAIN<sup>®</sup>

## LBP 821 SB (Straight)



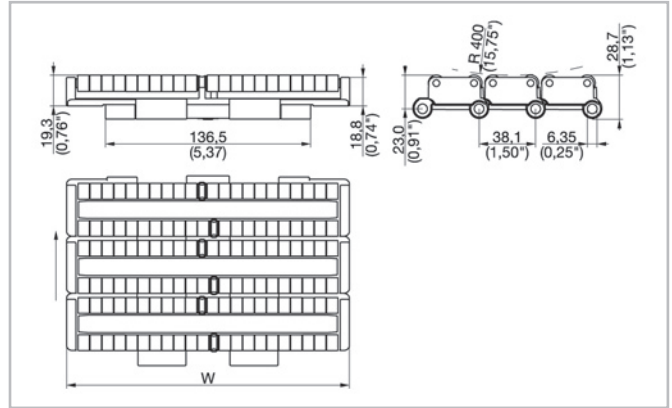
Your Source For Habasit  
Belting And Chain

www.StilesEnterprises.com • 1-800-325-4232

### Description

LBP 821 SB is a heavy duty straight running only low-back-pressure plastic chain with sliding blocks.

Applications include packaging lines with stable and wide products in the accumulation areas especially around the palletizers.



### Chain Data

Habasit code	Width W		Weight		Nominal tensile strength F		Material
	mm	inch	kg/m	lb/ft	N	lbf	
C0821K0750LFAS	190.5	7.50	3.60	2.42	2850	641	LF
C0821K1000LFAS	254.0	10.00	4.70	3.16	2850	641	LF
C0821K1200LFAS	304.8	12.00	5.50	3.70	2850	641	LF

Pin material: stainless steel

- Standard packaging: 1.524 m = 5ft
- The weight specification is indicative
- Roller material: LF (dark gray)
- Other materials on request

### Related products

- Multi-Hub 821 Sprocket-Rims
- Multi-Hub Inserts
- Solid Sprockets - Series 821

For further information and availability please contact your local Habasit partner.

### Product liability, application considerations

If the proper selection and application of Habasit products are not recommended by an authorized Habasit sales specialist, the selection and application of Habasit products, including the related area of product safety, are the responsibility of the customer.

All indications / information are recommendations and believed to be reliable, but no representations, guarantees, or warranties of any kind are made as to their accuracy or suitability for particular applications. The data provided herein are based on laboratory work with small-scale test equipment, running at standard conditions, and do not necessarily match product performance in industrial use. New knowledge and experiences can lead to modifications and changes within a short time without prior notice.

BECAUSE CONDITIONS OF USE ARE OUTSIDE OF HABASIT'S AND ITS AFFILIATED COMPANIES CONTROL, WE CANNOT ASSUME ANY LIABILITY CONCERNING THE SUITABILITY AND PROCESS ABILITY OF THE PRODUCTS MENTIONED HEREIN. THIS ALSO APPLIES TO PROCESS RESULTS / OUTPUT / MANUFACTURING GOODS AS WELL AS TO POSSIBLE DEFECTS, DAMAGES, CONSEQUENTIAL DAMAGES, AND FURTHER-REACHING CONSEQUENCES.