

HabasitLINK[®]

Sprocket series M5400



Your Source For Habasit
Belting And Chain

www.StilesEnterprises.com • 1-800-325-4232



M = Modular belts
Belt pitch
S = sprocket one-piece; Z = split sprocket
Number of teeth
Shaft size
Shaft type: Q = square shaft; R = round shaft
Material: 6 = POM; 8 = PA
M 54 S 12 60 Q 6

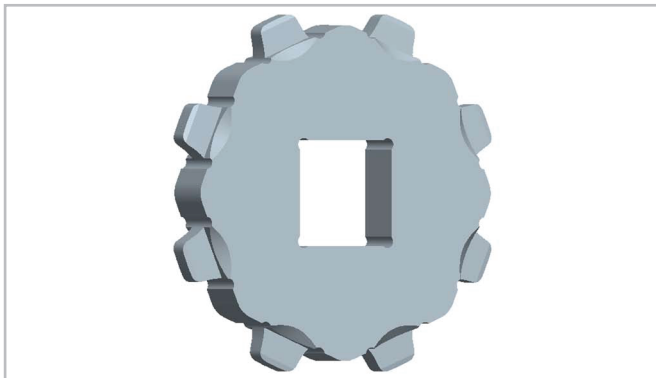
Sprocket availability

Type	Number of teeth	Diam. of pitch $\varnothing d_p$		A_1		Hub width B_L		Square bore Q		\varnothing Round bore R	Standard material
		mm	inch	mm	inch	mm	inch	mm	inch	mm	
S-C1	9	164.0	6.5	74.0	2.91	30	1.18	40 / 50 / 60	2.5	40	PA
S-C1	11	199.1	7.8	92.0	3.62	30	1.18	40 / 60	1.5 / 2.5	-	PA
S-C1	15	269.8	10.6	127.0	5.00	30	1.18	60 / 90	3.5	-	PA

S: molded sprockets; S-C1: machined sprockets. Other sprocket and hub sizes on request.

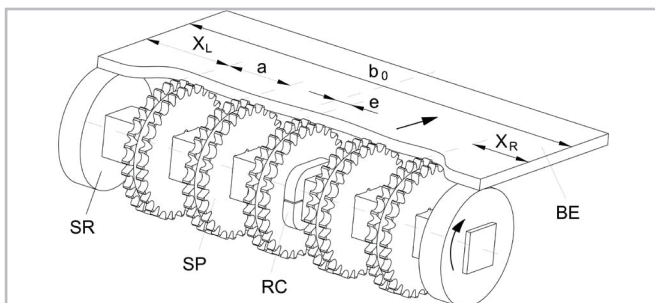
Key ways for round bore shape follow European standards for metric sizes and US standards for imperial sizes. For detailed dimensions see table in the Engineering Guide chapter Design Guide.

Other materials available on request.

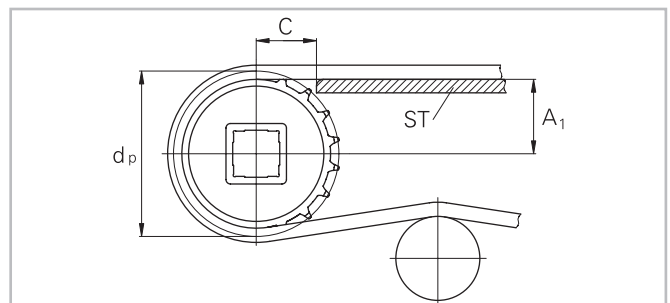


Sprocket one-piece (solid)

Sprocket arrangement



BE Belt
RC Retainer
SP Sprocket
 b_0 belt width



The distance C between the sprocket axis and the slider support ST is from 65 to 90 mm (2.5" to 3.5").