

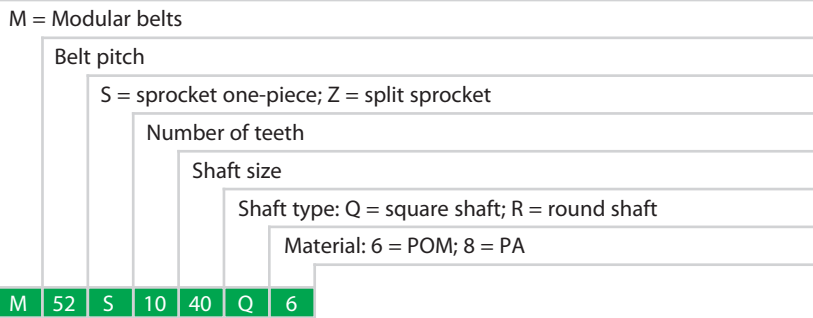
# HabasitLINK<sup>®</sup>

## Sprocket Series M5200



Your Source For Habasit  
Belting And Chain

www.StilesEnterprises.com • 1-800-325-4232



### Sprocket availability

Type	Number of teeth	Diam. of pitch $\varnothing d_p$		$A_1$		Hub width $B_L$		Square bore Q		Standard material
		mm	inch	mm	inch	mm	inch	mm	inch	
S-C1	10	165.1	6.5	74.2	2.92	22.7	0.89	40 / 60	1.5 / 2.5	POM
S-C1	12	197.2	7.8	90.4	3.56	22.7	0.89	40 / 60	1.5 / 2.5	POM

S-C1: machined sprockets. Other sprocket and hub sizes on request.

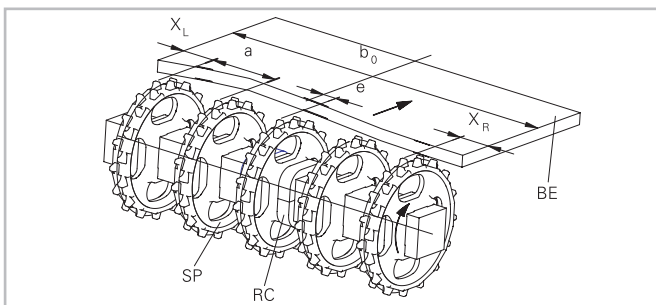
Key ways for round bore shape follow European standards for metric sizes and US standards for imperial sizes.

For detailed dimensions see table in the Design Guide.

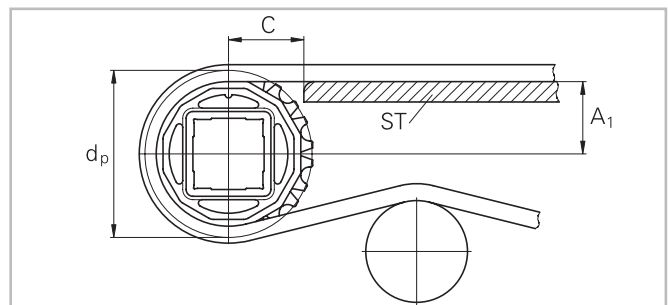
Other materials available on request.



### Sprocket arrangement



BE Belt  
RC Retainer  
SP Sprocket  
 $b_0$  belt width



The distance  $C$  between the sprocket axis and the slider support  $ST$  is minimal 53 mm (2.1").

### Wearstrips

Between driving shaft and idling sprockets or rollers the belt is carried by a slider support furnished with longitudinal wear strips from UHMW Polyethylene or other suitable material.