

Sprocket availability

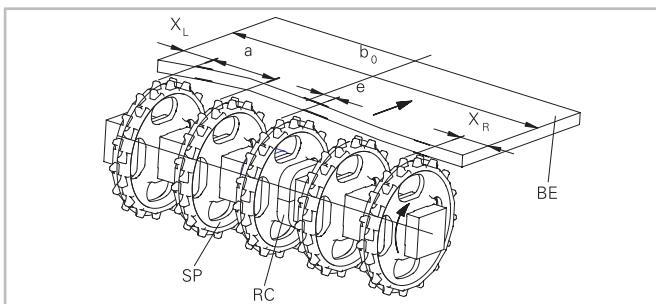
Type	Number of teeth	Diam. of pitch ϕd_p		A_1		Hub width B_L		Square bore Q		Standard material
		mm	inch	mm	inch	mm	inch	mm	inch	
S-M2	8	133.4	5.3	58.7	2.31	40	1.57	40	-	POM
S-M2	10	165.2	6.5	74.6	2.94	40	1.57	40	1.5	POM

S-M2: molded sprocket

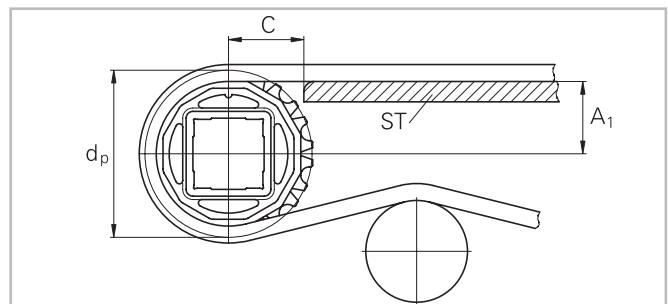


HyCLEAN sprocket

Sprocket arrangement



- BE Belt
- RC Retainer
- SP Sprocket
- b_0 belt width



The distance C between the sprocket axis and the slider support ST is minimal 53 mm (2.1").

Wearstrips

Between driving shaft and idling sprockets or rollers the belt is carried by a slider support furnished with longitudinal wear strips from UHMW Polyethylene or other suitable material.