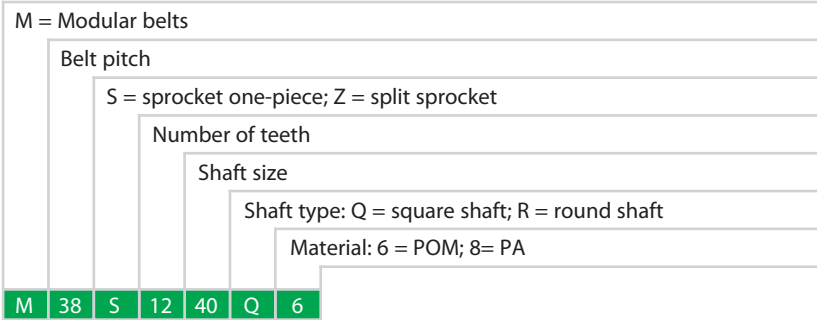


# HabasitLINK<sup>®</sup>

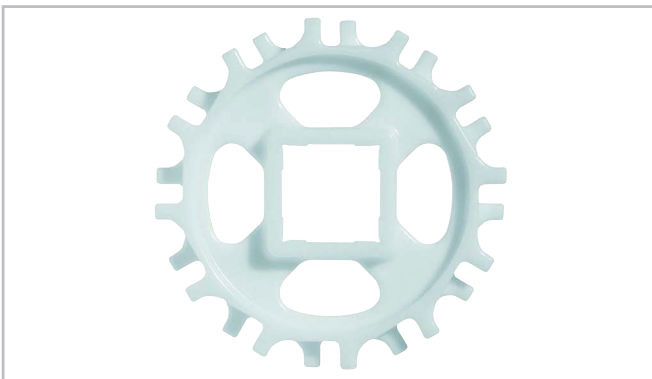
## Sprocket Series M3800



### Sprocket availability

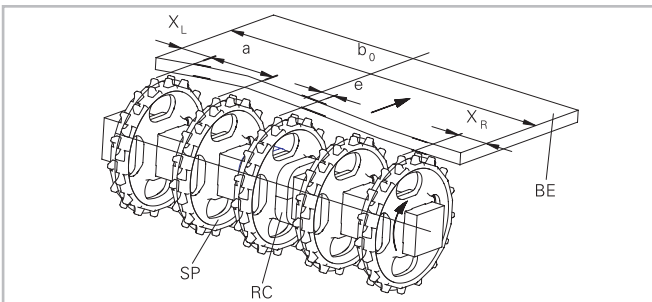
Type	Number of teeth	Diam. of pitch $\phi d_p$		$A_1$		Hub width $B_L$		Square bore Q		Standard material
		mm	inch	mm	inch	mm	inch	mm	inch	
S	8	101.9	4.0	42.0	1.65	30	1.18	40	-	POM
S	12	150.0	5.9	66.0	2.60	30	1.18	40	1.5 / 2.5	POM
S	16	198.2	7.8	90.1	3.55	30	1.18	40	-	POM

S: molded sprockets. Other sprocket and hub sizes on request.  
Other materials available on request.

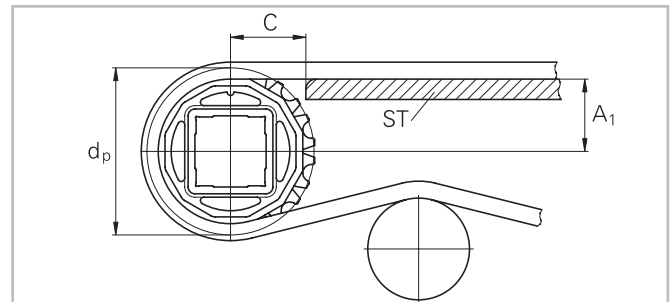


Sprocket one-piece ("open window")

### Sprocket arrangement



BE Belt  
RC Retainer  
SP Sprocket  
 $b_0$  belt width



The distance  $C$  between the sprocket axis and the slider support  $ST$  is minimal 41 mm (1.6").

### Wearstrips

Between driving shaft and idling sprockets or rollers the belt is carried by a slider support furnished with longitudinal wear strips from UHMW Polyethylene or other suitable material.