

HabaCHAIN[®] Solid Sprockets - Series NH78



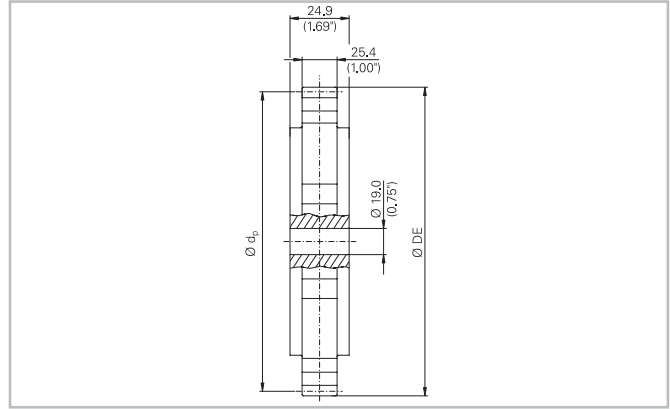
Your Source For Habasit
Belting And Chain

www.StilesEnterprises.com • 1-800-325-4232



Description

- Solid sprocket NH78 is suitable for all NH78 series chains
- Standard sprocket has a pilot bore
- Bore configurations can be machined according to the customer requirements



Sprocket data

Habasit code	Number of teeth	Ø DE		Diam. of pitch Ø d _p		Material
		mm	inch	mm	inch	
CNH78M06NY	6	142.5	5.61	132.5	5.22	NY
CNH78M06PE	6	142.5	5.61	132.5	5.22	PE
CNH78M08NY	8	183.2	7.21	173.2	6.82	NY
CNH78M08PE	8	183.2	7.21	173.2	6.82	PE
CNH78M10NY	10	224.4	8.83	214.4	8.44	NY
CNH78M10PE	10	224.4	8.83	214.4	8.44	PE

- Standard material = UHMW-PE

For further information and availability please contact Stiles Enterprises.

Product liability, application considerations

If the proper selection and application of Habasit products are not recommended by an authorized Habasit sales specialist, the selection and application of Habasit products, including the related area of product safety, are the responsibility of the customer.

All indications / information are recommendations and believed to be reliable, but no representations, guarantees, or warranties of any kind are made as to their accuracy or suitability for particular applications. The data provided herein are based on laboratory work with small-scale test equipment, running at standard conditions, and do not necessarily match product performance in industrial use. New knowledge and experiences can lead to modifications and changes within a short time without prior notice.

BECAUSE CONDITIONS OF USE ARE OUTSIDE OF HABASIT'S AND ITS AFFILIATED COMPANIES CONTROL, WE CANNOT ASSUME ANY LIABILITY CONCERNING THE SUITABILITY AND PROCESS ABILITY OF THE PRODUCTS MENTIONED HEREIN. THIS ALSO APPLIES TO PROCESS RESULTS / OUTPUT / MANUFACTURING GOODS AS WELL AS TO POSSIBLE DEFECTS, DAMAGES, CONSEQUENTIAL DAMAGES, AND FURTHER-REACHING CONSEQUENCES.