

HabaCHAIN[®] Solid Sprockets - Series 882



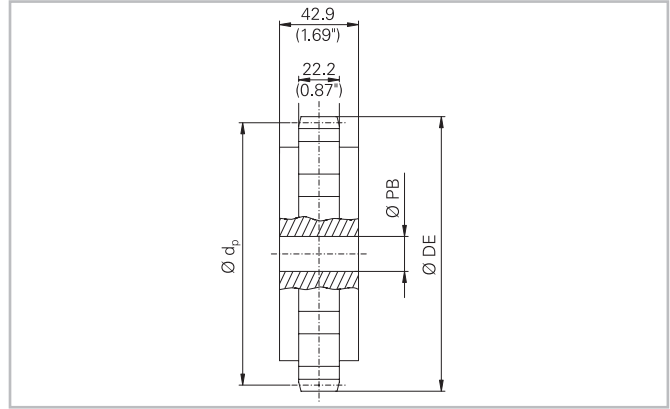
Your Source For Habasit
Belting And Chain

www.StilesEnterprises.com • 1-800-325-4232



Description

- Solid sprocket 882 is suitable for all 882 series chains
- Standard sprocket has a pilot bore
- Bore configurations can be machined according to the customer requirements.



Sprocket data

Habasit code	Number of teeth	Ø DE		Diam. of pitch Ø d _p		Ø Round bore R		Material
		mm	inch	mm	inch	mm	inch	
C0882M09NY	9	112.4	4.43	111.4	4.39	19.0	0.75	NY
C0882M09PE	9	112.4	4.43	111.4	4.39	19.0	0.75	PE
C0882M10CI	10	125.0	4.92	123.3	4.85	20.0	0.79	CI
C0882M10NY	10	125.0	4.92	123.3	4.85	19.0	0.75	NY
C0882M10PE	10	125.0	4.92	123.3	4.85	19.0	0.75	PE
C0882M11NY	11	137.5	5.41	135.2	5.32	19.0	0.75	NY
C0882M11PE	11	137.5	5.41	135.2	5.32	19.0	0.75	PE
C0882M12CI	12	149.9	5.90	147.2	5.80	20.0	0.79	CI
C0882M12NY	12	149.9	5.90	147.2	5.80	19.0	0.75	NY
C0882M12PE	12	149.9	5.90	147.2	5.80	19.0	0.75	PE
C0882M13NY	13	162.3	6.39	159.2	6.27	19.0	0.75	NY
C0882M13PE	13	162.3	6.39	159.2	6.27	19.0	0.75	PE
C0882M14NY	14	174.7	6.88	171.2	6.74	19.0	0.75	NY
C0882M14PE	14	174.7	6.88	171.2	6.74	19.0	0.75	PE
C0882M15NY	15	186.9	7.36	183.1	7.21	19.0	0.75	NY
C0882M15PE	15	186.9	7.36	183.1	7.21	19.0	0.75	PE

For further information and availability please contact Stiles Enterprises.

Product liability, application considerations

If the proper selection and application of Habasit products are not recommended by an authorized Habasit sales specialist, the selection and application of Habasit products, including the related area of product safety, are the responsibility of the customer.

All indications / information are recommendations and believed to be reliable, but no representations, guarantees, or warranties of any kind are made as to their accuracy or suitability for particular applications. The data provided herein are based on laboratory work with small-scale test equipment, running at standard conditions, and do not necessarily match product performance in industrial use. New knowledge and experiences can lead to modifications and changes within a short time without prior notice.

BECAUSE CONDITIONS OF USE ARE OUTSIDE OF HABASIT'S AND ITS AFFILIATED COMPANIES CONTROL, WE CANNOT ASSUME ANY LIABILITY CONCERNING THE SUITABILITY AND PROCESS ABILITY OF THE PRODUCTS MENTIONED HEREIN. THIS ALSO APPLIES TO PROCESS RESULTS / OUTPUT / MANUFACTURING GOODS AS WELL AS TO POSSIBLE DEFECTS, DAMAGES, CONSEQUENTIAL DAMAGES, AND FURTHER-REACHING CONSEQUENCES.