

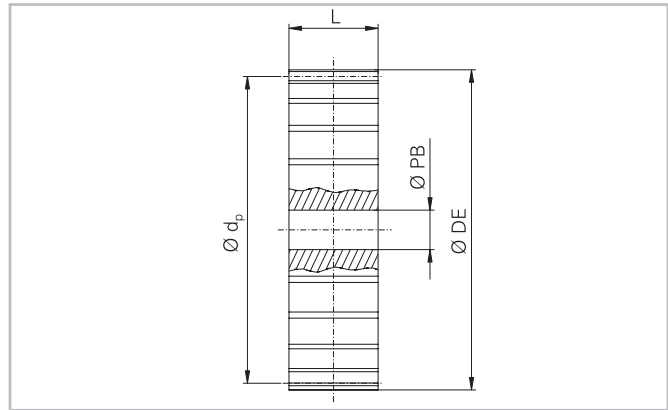
# HabaCHAIN<sup>®</sup> Solid Sprockets - Series 810

**Stiles Enterprises** Your Source For Habasit  
Belting And Chain  
www.StilesEnterprises.com • 1-800-325-4232



## Description

- Solid sprocket 810 is suitable for all 810 series chains
- Standard sprocket has a pilot bore
- Bore configurations can be machined according to the customer requirements



## Sprocket data

Habasit code	Number of teeth	Ø DE		Diam. of pitch Ø d <sub>p</sub>		L		Ø Round bore R		Material
		mm	inch	mm	inch	mm	inch	mm	inch	
C0810M19NY	19	117.1	4.61	117.4	4.62	42.9	1.69	19.0	0.75	NY
C0810M19PE	19	117.1	4.61	117.4	4.62	42.9	1.69	19.0	0.75	PE
C0810M21CI	21	130.1	5.12	129.3	5.09	43.5	1.71	20.0	0.79	CI
C0810M21NY	21	130.1	5.12	129.3	5.09	42.9	1.69	19.0	0.75	NY
C0810M21PE	21	130.1	5.12	129.3	5.09	42.9	1.69	19.0	0.75	PE
C0810M23CI	23	142.0	5.59	141.2	5.56	43.5	1.71	20.0	0.79	CI
C0810M23NY	23	142.0	5.59	141.2	5.56	42.9	1.69	19.0	0.75	NY
C0810M23PE	23	142.0	5.59	141.2	5.56	42.9	1.69	19.0	0.75	PE
C0810M25CI	25	154.2	6.07	153.2	6.03	43.5	1.71	20.0	0.79	CI
C0810M25NY	25	154.2	6.07	153.2	6.03	42.9	1.69	19.0	0.75	NY
C0810M25PE	25	154.2	6.07	153.2	6.03	42.9	1.69	19.0	0.75	PE
C0810M27NY	27	166.6	6.56	165.2	6.50	42.9	1.69	19.0	0.75	NY
C0810M27PE	27	166.6	6.56	165.2	6.50	42.9	1.69	19.0	0.75	PE

For further information and availability please contact Stiles Enterprises.

### Product liability, application considerations

If the proper selection and application of Habasit products are not recommended by an authorized Habasit sales specialist, the selection and application of Habasit products, including the related area of product safety, are the responsibility of the customer.

All indications / information are recommendations and believed to be reliable, but no representations, guarantees, or warranties of any kind are made as to their accuracy or suitability for particular applications. The data provided herein are based on laboratory work with small-scale test equipment, running at standard conditions, and do not necessarily match product performance in industrial use. New knowledge and experiences can lead to modifications and changes within a short time without prior notice.

BECAUSE CONDITIONS OF USE ARE OUTSIDE OF HABASIT'S AND ITS AFFILIATED COMPANIES CONTROL, WE CANNOT ASSUME ANY LIABILITY CONCERNING THE SUITABILITY AND PROCESS ABILITY OF THE PRODUCTS MENTIONED HEREIN. THIS ALSO APPLIES TO PROCESS RESULTS / OUTPUT / MANUFACTURING GOODS AS WELL AS TO POSSIBLE DEFECTS, DAMAGES, CONSEQUENTIAL DAMAGES, AND FURTHER-REACHING CONSEQUENCES.